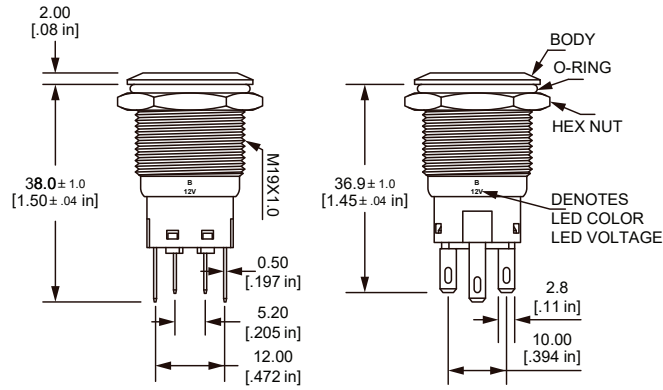
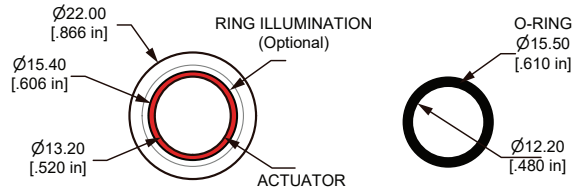
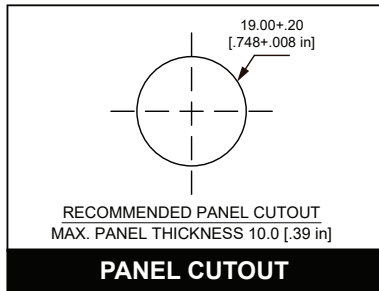



C = Common
NO = Normally open
NC = Normally closed

Terminals (-) and (+) used with Illum. option only



	PART NO.: 73922
ANTI-VANDAL SWITCH	
FUNCTION	1NO1NC LATCHING
SIZE	19MM
CURRENT	2A: 250VAC, 3A: 30VDC
FINISH	STAINLESS
ILLUMINATION / VOLTAGE	RING LED BLUE 12V
TERMINAL	SOLDER 2.8 x 0.5mm
PROTECTION	IP65 / IK10
AUGUST 2024	
DIAGRAM NOT TO SCALE	